



ALUMINIUM RAINWATER

SYSTEMS

PRODUCT
CATALOGUE



Established in 1982, JWD Architectural Aluminium is a leading manufacturer of bespoke aluminium products for the building and construction industry. We provide mill finish and polyester powder coated aluminium gutters, downpipes, rainwater goods, roofline fascia and soffit and architectural details in standard and non-standard sizes.

JWD products are fabricated in our dedicated manufacturing facility based in Hyde near Manchester. In addition, we have our own on-site automated powder coating facility where products are pre-treated and finished, ensuring complete end-to-end quality control of the manufacturing process.

DOWNPIPES & HOPPER HEADS

Regency Circular Downpipes with Cast Collars	4
Modern Extruded Circular Downpipes with Swaged Joints	5
Regency Square & Rectangular Downpipes with Cast Collars	6
Modern Extruded Square & Rectangular Downpipes with Swaged Joints	7
Isobar Vandal Resistant Extruded Pipes	8
JWD Hopper Heads - A Range of Complementary Styles	9

GUTTERING

Nimbus Profiled Aluminium Box Gutters	10-11
Altocumulus Beaded Half Round Extruded Aluminium Gutters	12-13
Altocumulus Beaded Half Round Deep Flow Extruded Gutters	14-15
Cumulus Half Round Cast Aluminium Gutters	16-17
Altocumulus Beaded Half Round Deep Flow Cast Gutters	18-19
Stratus Moulded Ogee Extruded Aluminium Gutters	20-21
Stratus Special Moulded Ogee Cast Aluminium Gutters	22-23
Cirrus Victorian Ogee Cast Aluminium Gutters	24-25

FASCIAS & SOFFITS

Fascia & Soffit Details	26-27
------------------------------------	-------

ADDITIONAL INFORMATION

Other Products & Special Notes	28-29
Polyester Powder Coat Specification	30-31

Regency Circular Downpipes with Cast Collars

This range of circular downpipes has a Regency style diecast socket, which is factory fitted to each extruded length. The socket detail has double rings and is available with or without fixing ears. When ordering bends and Y junctions with ears, please indicate if you require left or right handed. A wide variety of extension brackets and clips can be made to order.

Rainwater Pipe Lengths



Length	63mm Ø	76mm Ø	100mm Ø
3.0m	JRP25/C/3	JRP3/C/3	JRP4/C/3
2.5m	JRP25/C/25	JRP3/C/25	JRP4/C/25
2.0m	JRP25/C/2	JRP3/C/2	JRP4/C/2
1.0m	JRP25/C/1	JRP3/C/1	JRP4/C/1
0.5m	JRP25/C/05	JRP3/C/05	JRP4/C/05

150mm diameter pipes available on request

Rainwater Pipe Bends



Bends	63mm Ø	76mm Ø	100mm Ø
92.5°-112.5°-135°-NS	JRP25/C/8	JRP3/C/8	JRP4/C/8
Rainwater Shoes	JRP25/C/12	JRP3/C/12	JRP4/C/12
Access Plate	JRP25/C/13	JRP3/C/13	JRP4/C/13
Access Pipes (0.5m)	JRP25/C/14	JRP3/C/14	JRP4/C/14

Brackets & Collars



Brackets	63mm Ø	76mm Ø	100mm Ø
Flush Fit	JRP25/C/20	JRP3/C/20	JRP4/C/20
30mm Stand-off	JRP25/C/21	JRP3/C/21	JRP4/C/21
2 Part Variable	JRP25/C/22	JRP3/C/22	JRP4/C/22
Cast Collar + Ears	JRP25/C/23	JRP3/C/23	JRP4/C/23
Cast Collar Plain	JRP25/C/24	JRP3/C/24	JRP4/C/24

Please see separate section on Hopper Heads

Projection Offset



Offset	63mm Ø	76mm Ø	100mm Ø
63-149mm 1 Part	JRP25/C/4	JRP3/C/4	JRP4/C/4
150-400mm 2 Part	JRP25/C/5	JRP3/C/5	JRP4/C/5
401-750mm 2 Part	JRP25/C/6	JRP3/C/6	JRP4/C/6
751-1000mm 2 Part	JRP25/C/7	JRP3/C/7	JRP4/C/7

Offsets under 149mm are manufactured in one piece

Y Junctions



Y Junctions	63mm Ø	76mm Ø	100mm Ø
92.5°-112.5°-135°-NS	JRP25/C/15	JRP3/C/15	JRP4/C/15

Modern Extruded Circular Downpipes with Swaged Joints

The Modern range of extruded aluminium pipes incorporate a swaged jointing system with separate wall fixing brackets. These brackets can be either as standard or a special design to accommodate stand-off requirements. The pipe system is available in four diameters, 63mm, 75mm, 100mm and 150mm round.

Rainwater Pipe Lengths



Length	63mm Ø	76mm Ø	100mm Ø	150mm Ø
3.0m	JRP25/S/3	JRP3/S/3	JRP4/S/3	JRP6/S/3
2.5m	JRP25/S/25	JRP3/S/25	JRP4/S/25	JRP6/S/25
2.0m	JRP25/S/2	JRP3/S/2	JRP4/S/2	JRP6/S/2
1.0m	JRP25/S/1	JRP3/S/1	JRP4/S/1	JRP6/S/1
0.5m	JRP25/S/05	JRP3/S/05	JRP4/S/05	JRP6/S/05

Rainwater Pipe Bends



Bends	63mm Ø	76mm Ø	100mm Ø	150mm Ø
92.5°-112.5°-135°-NS	JRP25/S/8	JRP3/S/8	JRP4/S/8	JRP6/S/8
Rainwater Shoes	JRP25/S/12	JRP3/S/12	JRP4/S/12	JRP6/S/12
Access Plate	JRP25/S/13	JRP3/S/13	JRP4/S/13	JRP6/S/13
Access Pipes (0.5m)	JRP25/S/14	JRP3/S/14	JRP4/S/14	JRP6/S/14

Brackets & Collars



Brackets	63mm Ø	76mm Ø	100mm Ø
Flush Fit	JRP25/S/20	JRP3/S/20	JRP4/S/20
30mm Stand-off	JRP25/S/21	JRP3/S/21	JRP4/S/21
2 Part Variable	JRP25/S/22	JRP3/S/22	JRP4/S/22
Spun Collar: Oblique Connectors	JRP25/S/23	JRP3/S/23	JRP4/S/23

Please see separate section on Hopper Heads

Projection Offset



Offset	63mm Ø	76mm Ø	100mm Ø	150mm Ø
63-149mm 1 Part	JRP25/S/4	JRP3/S/4	JRP4/S/4	JRP6/S/4
150-400mm 2 Part	JRP25/S/5	JRP3/S/5	JRP4/S/5	JRP6/S/5
401-750mm 2 Part	JRP25/S/6	JRP3/S/6	JRP4/S/6	JRP6/S/6
751-1000mm 2 Part	JRP25/S/7	JRP3/S/7	JRP4/S/7	JRP6/S/7

Offsets under 149mm are manufactured in one piece

Y Junctions



Y Junctions	63mm Ø	76mm Ø	100mm Ø	150mm Ø
92.5°-112.5°-135°-NS	JRP25/S/15	JRP3/S/15	JRP4/S/15	JRP6/S/15

Regency Square & Rectangular Downpipes with Cast Collars

This range of square and rectangular downpipes has a Regency style diecast socket, which is factory fitted to each extruded length. The socket detail has double rings and is available with or without fixing ears. When ordering bends and Y junctions with ears, please indicate if you require left or right handed. A wide variety of extension brackets and clips can be made to order.

Rainwater Pipe Lengths



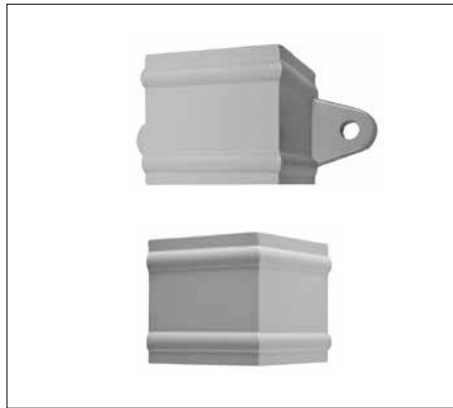
Length	75x75mm	100x75mm	100x100mm
3.0m	JSP3/C/3	JSP43/C/3	JSP4/C/3
2.5m	JSP3/C/25	JSP43/C/25	JSP4/C/25
2.0m	JSP3/C/2	JSP43/C/2	JSP4/C/2
1.0m	JSP3/C/1	JSP43/C/1	JSP4/C/1
0.5m	JSP3/C/05	JSP43/C/05	JSP4/C/05

Rainwater Pipe Bends



Bends	75x75mm	100x75mm	100x100mm
92.5°-112.5°-135°-NS	JSP3/C/8	JSP43/C/8	JSP4/C/8
Rainwater Shoes	JSP3/C/12	JSP43/C/12	JSP4/C/12
Access Plate	JSP3/C/13	JSP43/C/13	JSP4/C/13
Access Pipes (0.5m)	JSP3/C/14	JSP43/C/14	JSP4/C/14

Brackets & Collars



Brackets	75x75mm	100x75mm	100x100mm
Flush Fit	JSP3/C/20	JSP43/C/20	JSP4/C/20
30mm Stand-off	JSP3/C/21	JSP43/C/21	JSP4/C/21
2 Part Variable	JSP3/C/22	JSP43/C/22	JSP4/C/22
Cast Collar + Ears	JSP3/C/23	JSP43/C/23	JSP4/C/23
Cast Collar Plain	JSP3/C/24	JSP43/C/24	JSP4/C/24

Please see separate section on Hopper Heads

Projection Offset



Offset	75x75mm	100x75mm	100x100mm
63mm-149mm 1 Part	JSP3/C/4	JSP43/C/4	JSP4/C/4
150mm-400mm 2 Part	JSP3/C/5	JSP43/C/5	JSP4/C/5
401mm-750mm 2 Part	JSP3/C/6	JSP43/C/6	JSP4/C/6
751mm-1000mm 2 Part	JSP3/C/7	JSP43/C/7	JSP4/C/7

Offsets under 149mm are manufactured in one piece

Y Junctions

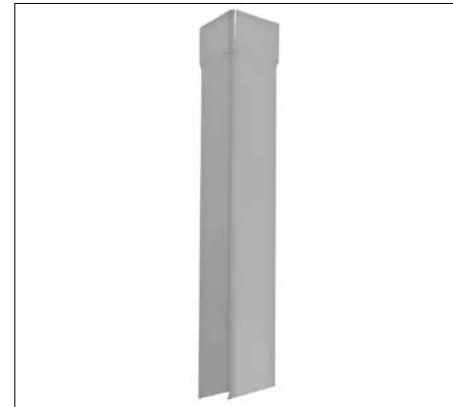


Y Junctions	75x75mm	100x75mm	100x100mm
92.5°-112.5°-135°-NS	JSP3/C/15	JSP43/C/15	JSP4/C/15

Modern Extruded Square & Rectangular Downpipes with Swaged Joints

The Modern range of extruded aluminium pipes incorporate a swaged jointing system with separate wall fixing brackets. These brackets can be either as standard or a special design to accommodate stand-off requirements. The pipe system is available in four sizes, 75mmx75mm, 100mmx75mm, 100mmx100mm & 150mmx150mm square.

Rainwater Pipe Lengths



Length	75x75mm	100x75mm	100x100mm	150x150mm
3.0m	JSP3/S/3	JSP43/S/3	JSP4/S/3	JSP6/S/3
2.5m	JSP3/S/25	JSP43/S/25	JSP4/S/25	JSP6/S/25
2.0m	JSP3/S/2	JSP43/S/2	JSP4/S/2	JSP6/S/2
1.0m	JSP3/S/1	JSP43/S/1	JSP4/S/1	JSP6/S/1
0.5m	JSP3/S/05	JSP43/S/05	JSP4/S/05	JSP6/S/05

Rainwater Pipe Bends



Bends	75x75mm	100x75mm	100x100mm	150x150mm
92.5°-112.5°-135°-NS	JSP3/S/8	JSP43/S/8	JSP4/S/8	JSP6/S/8
Rainwater Shoes	JSP3/S/12	JSP43/S/12	JSP4/S/12	JSP6/S/12
Access Plate	JSP3/S/13	JSP43/S/13	JSP4/S/13	JSP6/S/13
Access Pipes (0.5m)	JSP3/S/14	JSP43/S/14	JSP4/S/14	JSP6/S/14

Brackets & Collars



Brackets	75x75mm	100x75mm	100x100mm
Flush Fit	JSP3/S/20	JSP43/S/20	JSP4/S/20
30mm Stand-off	JSP3/S/21	JSP43/S/21	JSP4/S/21
2 Part Variable	JSP3/S/22	JSP43/S/22	JSP4/S/22
Spun Collar: Oblique Connectors	JSP3/S/23	JSP43/S/23	JSP4/S/23

Please see separate section on Hopper Heads

Projection Offset



Offset	75x75mm	100x75mm	100x100mm	150x150mm
63-149mm 1 Part	JSP3/S/4	JSP43/S/4	JSP4/S/4	JSP6/S/4
150-400mm 2 Part	JSP3/S/5	JSP43/S/5	JSP4/S/5	JSP6/S/5
401-750mm 2 Part	JSP3/S/6	JSP43/S/6	JSP4/S/6	JSP6/S/6
751-1000mm 2 Part	JSP3/S/7	JSP43/S/7	JSP4/S/7	JSP6/S/7

Offsets under 149mm are manufactured in one piece

Y Junctions





Y Junctions	75x75mm	100x75mm	100x100mm	150x150mm
92.5°-112.5°-135°-NS	JSP3/S/15	JSP43/S/15	JSP4/S/15	JSP6/S/15


Isobar Vandal Resistant Extruded Pipes

The introduction of the vandal resistant range of rainwater goods has proved very popular with specifiers who are involved in the design of public buildings, especially those that are more vulnerable to vandalism such as schools and prisons. The system negates the expensive installation of brick recesses to protect downpipes.


Rainwater Pipe Lengths

						
	Circular Pipes		Square & Rectangular Pipes			
Bends	76mm Ø	100mm Ø	75x75mm	100x75mm	100x100mm	
3.0m	JRP3/AV/3	JRP4/AV/3	JSP3/AV/3	JSP43/AV/3	-	
2.5m	JRP3/AV/25	JRP4/AV/25	JSP3/AV/25	JSP43/AV/25	-	
2.0m	JRP3/AV/2	JRP4/AV/2	JSP3/AV/2	JSP43/AV/2	JSP4/AV/2	
1.0m	JRP3/AV/1	JRP4/AV/1	JSP3/AV/1	JSP43/AV/1	JSP4/AV/1	
0.5m	JRP3/AV/05	JRP4/AV/05	JSP3/AV/05	JSP43/AV/05	JSP4/AV/05	


Rainwater Pipe Bends

	Circular Pipes		Square & Rectangular Pipes			
Bends	76mm Ø	100mm Ø	75x75mm	100x75mm	100x100mm	
92.5°-112.5°-135°-NS	JRP3/AV/8	JRP4/AV/8	JSP3/AV/8	JSP43/AV/8	JSP4/AV/8	
Rainwater Shoes	JRP3/AV/12	JRP4/AV/12	JSP3/AV/12	JSP43/AV/12	JSP4/AV/12	
Access Plate	JRP3/AV/13	JRP4/AV/13	JSP3/AV/13	JSP43/AV/13	JSP4/AV/13	
Access Pipes (0.5m)	JRP3/AV/14	JRP4/AV/14	JSP3/AV/14	JSP43/AV/14	JSP4/AV/14	
Offsets under 149mm are manufactured in one piece						

Projection Offset

	Circular Pipes		Square & Rectangular Pipes			
Projection Offset	76mm Ø	100mm Ø	75x75mm	100x75mm	100x100mm	
63mm-149mm 1 Part	JRP3/AV/4	JRP4/AV/4	JSP3/AV/4	JSP43/AV/4	JSP4/AV/4	
150mm-400mm 2 Part	JRP3/AV/5	JRP4/AV/5	JSP3/AV/5	JSP43/AV/5	JSP4/AV/5	
401mm-750mm 2 Part	JRP3/AV/6	JRP4/AV/6	JSP3/AV/6	JSP43/AV/6	JSP4/AV/6	
751mm-1000mm 2 Part	JRP3/AV/7	JRP4/AV/7	JSP3/AV/7	JSP43/AV/7	JSP4/AV/7	

Y Junctions

	Circular Pipes		Square & Rectangular Pipes			
Y Junctions	76mm Ø	100mm Ø	75x75mm	100x75mm	100x100mm	
92.5°-112.5°-135°-NS	JRP3/AV/15	JRP4/AV/15	JSP3/AV/15	JSP43/AV/15	JSP4/AV/15	

JWD Hopper Heads - A Range of Complementary Styles

A comprehensive range of rainwater hopper heads is available to suit different architectural building styles and have been purposely designed to complement the JWD range of aluminium rainwater systems.

Different hopper profiles are available that match with round, square and rectangular systems, and aesthetically, you can choose from hopper designs that range from modest elegance to elaborate splendor. Functional considerations are taken into account with hoppers that are suitable for a range of light to heavy duties.

JWD Fluted Hopper
(Standard Cast Aluminium)



JWD Swinton Hopper
(Cast Aluminium Shown)



JWD Small Fluted Hopper
(Standard Cast Aluminium)



JWD Regency Ornamental Hopper
(Standard Cast Aluminium)



JWD Cheshire Hopper
(Pressure Cast Aluminium)



JWD Bespoke Hopper
(2mm Thick Aluminium Shown)



JWD Hopper Heads

Description	Weight (Kgs)	Height (mm)	Width (mm)	Depth (mm)	Available Features
JWD Fluted Hopper	2.10	240	275	210	Outlet spigot size to suit: 76mm dia, 100mm dia (not suitable for rectangular pipes without undergoing modifications).
JWD Swinton Hopper	2.90	130	260	160	Please contact our Sales or Technical Department for full details of this plus other Victorian/Edwardian hoppers from our range.
JWD Small Fluted Hopper	1.85	190	190	145	Outlet spigot size to suit: 63mm dia, 76mm dia, (not suitable for rectangular pipes without undergoing modifications).
JWD Regency Ornamental Hopper	5.00	180	410	190	Outlet spigot size to suit: 76mm dia, 101mm dia, 75 x 75mm sq, 100 x 100mm sq.
JWD Cheshire Hopper	1.50	180	256	172	Outlet spigot size to suit: 63mm dia, 76mm dia, 101mm dia, 75 x 75mm sq, 100 x 75mm sq, 100 x 100mm sq.
JWD Bespoke Hopper					

Notes for all hoppers:

- i) Dimensions exclude spigot length and external lugs (where applicable).
- ii) A range of decorative embellishments, motifs, and emblems are available for most hoppers in our range; please contact our Sales or Technical Department for further details.
- iii) The JWD range of hoppers are available in either natural aluminium 'Mill' finish, or polyester powder coated to our standard RAL/BS colours.

Nimbus Profiled Aluminium Box Gutters

The Nimbus range of box gutters are made from profiled aluminium sheet. The range is available in five widths. Non-standard sizes can also be fabricated to customer requirements. Nimbus gutters are suitable for direct fix at 600mm centres or fascia bracket fixing at maximum 700mm centres.

Gutter Lengths



Length	100x75mm	125x100mm	150x100mm	150x150mm	200x150mm
3.0m	JB4/1/3	JB5/1/3	JB64/1/3	JB6/1/3	JB8/1/3
2.5m	JB4/1/25	JB5/1/25	JB64/1/25	JB6/1/25	JB8/1/25
2.0m	JB4/1/2	JB5/1/2	JB64/1/2	JB6/1/2	JB8/1/2
1.0m	JB4/1/1	JB5/1/1	JB64/1/1	JB6/1/1	JB8/1/1
0.5m	JB4/1/05	JB5/1/05	JB64/1/05	JB6/1/05	JB8/1/05

Running Outlets



Size	100x75mm	125x100mm	150x100mm	150x150mm	200x150mm
63mm Ø	JB4/11	JB5/11	JB64/11	JB6/11	JB8/11
75mm Ø	JB4/12	JB5/12	JB64/12	JB6/12	JB8/12
100mm Ø	N/A	JB5/13	JB64/13	JB6/13	JB8/13
75x75mm	JB4/14	JB5/14	JB64/14	JB6/14	JB8/14
100x75mm	JB4/15	JB5/15	JB64/15	JB6/15	JB8/15
100x100mm	N/A	JB5/16	JB64/16	JB6/16	JB8/16

Nimbus Profiled Aluminium Box Gutters

It is recommended that when using fascia brackets additional support is introduced by using direct fixing. This especially advised when using the larger profile sizes. Expansion co-efficients are incorporated into the gutter design. Additional fixings are also recommended near cross bracings.

Fascia Brackets



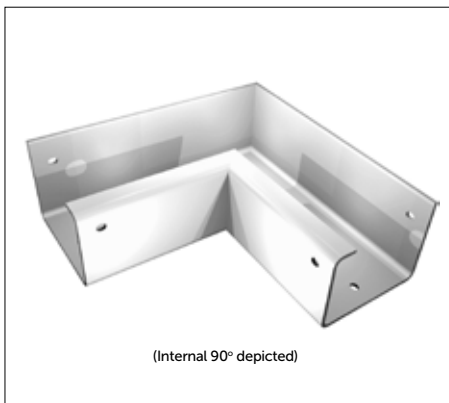
Bracket	100x75mm	125x100mm	150x100mm	150x150mm	200x150mm
Fascia	JB4/7	JB5/7	JB64/7	JB6/7	JB8/7

Rise & Fall Brackets



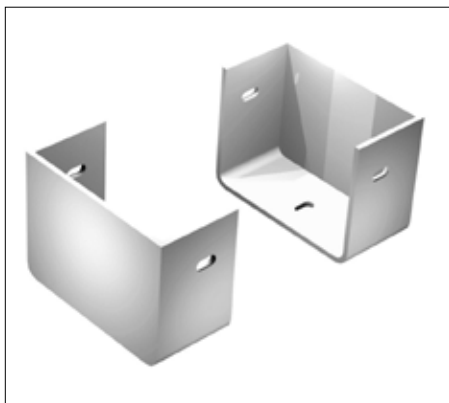
Bracket	100x75mm	125x100mm	150x100mm	150x150mm	200x150mm
Rise & Fall	JB4/22	JB5/22	JB64/22	JB6/22	JB8/22

Angles



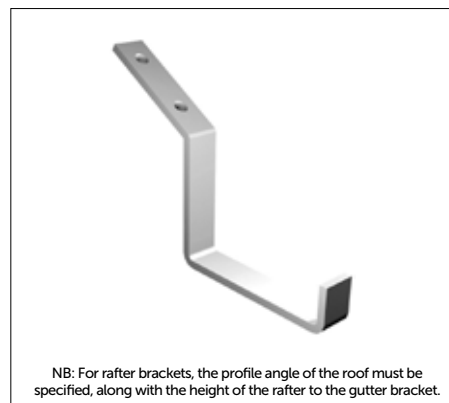
Angles	100x75mm	125x100mm	150x100mm	150x150mm	200x150mm
90° External	JB4/2	JB5/2	JB64/2	JB6/2	JB8/2
90° Internal	JB4/3	JB5/3	JB64/3	JB6/3	JB8/3
135° External	JB4/4	JB5/4	JB64/4	JB6/4	JB8/4
135° Internal	JB4/5	JB5/5	JB64/5	JB6/5	JB8/5
Non Standard	JB4/6	JB5/6	JB64/6	JB6/6	JB8/6

Stop Ends



End	100x75mm	125x100mm	150x100mm	150x150mm	200x150mm
Right Hand	JB4/8	JB5/8	JB64/8	JB6/8	JB8/8
Left Hand	JB4/9	JB5/9	JB64/9	JB6/9	JB8/9

Rafter Brackets



Bracket	100x75mm	125x100mm	150x100mm	150x150mm	200x150mm
Top Fix	JB4/20	JB5/20	JB64/20	JB6/20	JB8/20
Side Fix	JB4/21	JB5/21	JB64/21	JB6/21	JB8/21

Joint Connector Clip



Joint	100x75mm	125x100mm	150x100mm	150x150mm	200x150mm
Universal	JB4/10	JB5/10	JB64/10	JB6/10	JB8/10

Altocumulus Beaded Half Round Extruded Aluminium Gutters

The Altocumulus range of extruded aluminium section uses the beading along both top edges to enhance the standard Cumulus half round profile. The Altocumulus range uses jointing clips instead of the sockets of the Cumulus system. The Altocumulus system is available in three width sizes, 112mm, 125mm and 150mm.

Gutter Lengths



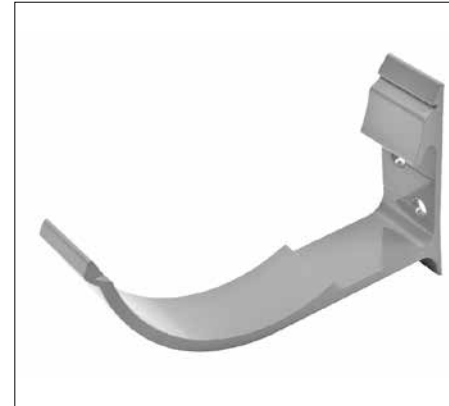
Length	112mm	125mm	150mm
3.0m	JBHR4/1/3	JBHR5/1/3	JBHR6/1/3
2.5m	JBHR4/1/25	JBHR5/1/25	JBHR6/1/25
2.0m	JBHR4/1/2	JBHR5/1/2	JBHR6/1/2
1.0m	JBHR4/1/1	JBHR5/1/1	JBHR6/1/1
0.5m	JBHR4/1/05	JBHR5/1/05	JBHR6/1/05

Running Outlets



Size	112mm	125mm	150mm
63mm Ø	JBHR4/11	JBHR5/11	JBHR6/11
75mm Ø	JBHR4/12	JBHR5/12	JBHR6/12
100mm Ø	N/A	JBHR5/13	JBHR6/13
75x75mm	JBHR4/14	JBHR5/14	JBHR6/14
100x75mm	JBHR4/15	JBHR5/15	JBHR6/15
100x100mm	N/A	JBHR5/16	JBHR6/16

Fascia Brackets



Bracket	112mm	125mm	150mm
Fascia	JBHR4/7	JBHR5/7	JBHR6/7

Rise & Fall Brackets



Bracket	112mm	125mm	150mm
Rise & Fall	JBHR4/22	JBHR5/22	JBHR6/22

Angles



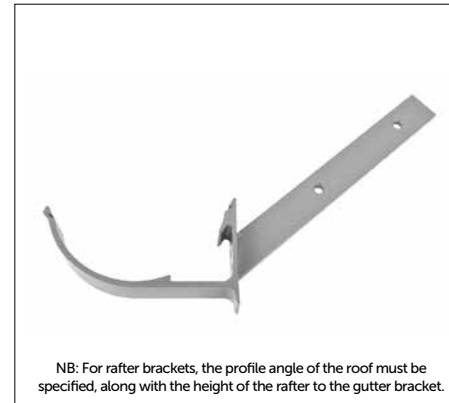
Angles	112mm	125mm	150mm
90° External	JBHR4/2	JBHR5/2	JBHR6/2
90° Internal	JBHR4/3	JBHR5/3	JBHR6/3
135° External	JBHR4/4	JBHR5/4	JBHR6/4
135° Internal	JBHR4/5	JBHR5/5	JBHR6/5
Non Standard	JBHR4/6	JBHR5/6	JBHR6/6

Stop Ends



End	112mm	125mm	150mm
Both Ends	JBHR4/8	JBHR5/8	JBHR6/8

Rafter Brackets



Bracket	112mm	125mm	150mm
Top Fix	JBHR4/20	JBHR5/20	JBHR6/20
Side Fix	JBHR4/21	JBHR5/21	JBHR6/21

Joint Connector Clip



Joint	112mm	125mm	150mm
Universal	JBHR4/10	JBHR5/10	JBHR6/10

Altocumulus Beaded Half Round Extruded Aluminium Gutters

Altocumulus Beaded Half Round Deep Flow Extruded Gutters

The Deep Flow gutter system is recognised as one of the most versatile gutter systems available. It combines high capacity with aesthetic yet practical features that benefit commercial industrial and domestic applications.



Gutter Lengths

Length	125mm x 100mm
3.0m	JBDF5/1/3
2.5m	JBDF5/1/25
2.0m	JBDF5/1/2
1.0m	JBDF5/1/1
0.5m	JBDF5/1/05



Running Outlets

Size	125mm x 100mm
63mm Ø	JBDF5/11
75mm Ø	JBDF5/12
100mm Ø	JBDF5/13
75x75mm	JBDF5/14
100x75mm	JBDF5/15
100x100mm	JBDF5/16

Altocumulus Beaded Half Round Deep Flow Extruded Gutters



Fascia Brackets

Bracket	125mm x 100mm
Fascia	JBDF5/7



Rise & Fall Brackets

Bracket	125mm x 100mm
Rise & Fall	JBDF5/22



Angles

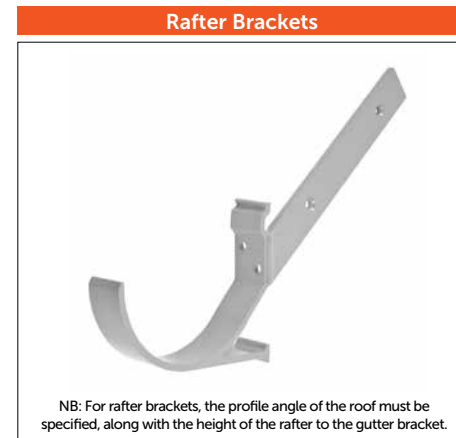
(Internal 90° depicted)

Angles	125mm x 100mm
90° External	JBDF5/2
90° Internal	JBDF5/3
135° External	JBDF5/4
135° Internal	JBDF5/5
Non Standard	JBDF5/6



Stop Ends

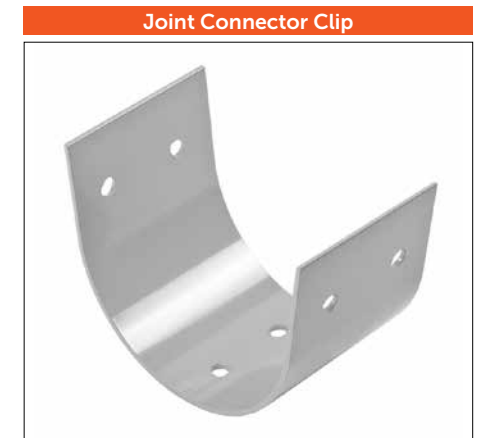
End	125mm x 100mm
Both Ends	JBDF5/8



Rafter Brackets

NB: For rafter brackets, the profile angle of the roof must be specified, along with the height of the rafter to the gutter bracket.

Bracket	125mm x 100mm
Top Fix	JBDF5/20
Side Fix	JBDF5/21



Joint Connector Clip

Joint	125mm x 100mm
Universal	JBDF5/10

Cumulus Half Round Cast Aluminium Gutters

The Cumulus range is a commonly specified half round shape that is fully interchangeable with gutters of similar section, making ideal for repair and refurbishment projects as well as new buildings. There are four nominal widths in the range, 100mm, 113mm, 125mm and 150mm. All gutter lengths and angles are supplied with one left hand cast-on socket as viewed from the front. All outlets are supplied with two cast-on sockets.

Gutter Lengths



Length	100mm	113mm	125mm	150mm
1.83m	JHR4/1	JHR45/1	JHR5/1	JHR6/1

Running Outlets



Size	100mm	113mm	125mm	150mm
63mm Ø	JHR4/11	JHR45/11	JHR5/11	JHR6/11
75mm Ø	JHR4/12	JHR45/12	JHR5/12	JHR6/12
100mm Ø	N/A	N/A	JHR5/13	JHR6/13

Fascia Brackets



Bracket	100mm	113mm	125mm	150mm
Fascia	JHR4/7	JHR45/7	JHR5/7	JHR6/7

Rise & Fall Brackets



Bracket	100mm	113mm	125mm	150mm
Rise & Fall	JHR4/22	JHR45/22	JHR5/22	JHR6/22

Angles



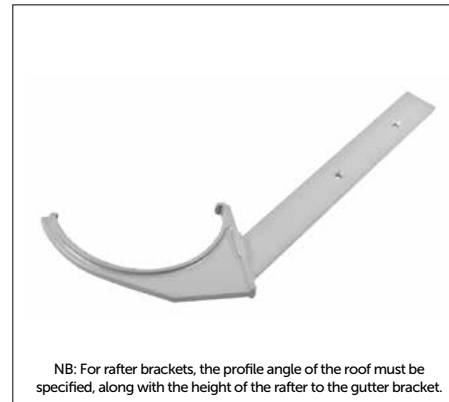
Angles	100mm	113mm	125mm	150mm
90° External	JHR4/2	JHR45/2	JHR5/2	JHR6/2
90° Internal	JHR4/3	JHR45/3	JHR5/3	JHR6/3
135° External	JHR4/4	JHR45/4	JHR5/4	JHR6/4
135° Internal	JHR4/5	JHR45/5	JHR5/5	JHR6/5
Non Standard	JHR4/6	JHR45/6	JHR5/6	JHR6/6

Stop Ends



End	100mm	113mm	125mm	150mm
RH External	JHR4/8	JHR45/8	JHR5/8	JHR6/8
LH Internal	JHR4/9	JHR45/9	JHR5/9	JHR6/9

Rafter Brackets



Bracket	100mm	113mm	125mm	150mm
Top Fix	JHR4/20	JHR45/20	JHR5/20	JHR6/20
Side Fix	JHR4/21	JHR45/21	JHR5/21	JHR6/21

Joint Connector Clip



Joint	100mm	113mm	125mm	150mm
Universal	JHR4/10	JHR45/10	JHR5/10	JHR6/10

Altocumulus Beaded Half Round Deep Flow Cast Gutters

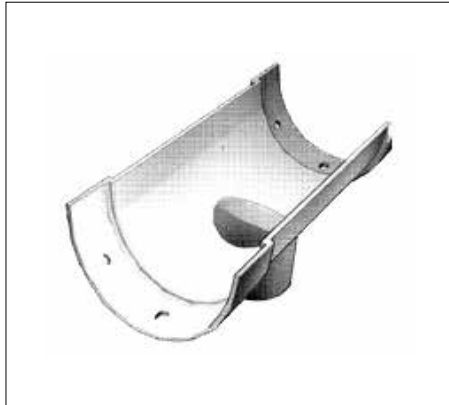
The Deep Flow Altocumulus range combines practical high flow rainwater disposal with timeless aesthetic appeal. Because of its flow capacity, it is suitable for commercial and industrial application as well as domestic use.

Gutter Lengths



Length	125mm x 100mm
1.83m	JDHR4/1

Running Outlets



Size	125mm x 100mm
63mm Ø	JDHR4/11
75mm Ø	JDHR4/12

Fascia Brackets



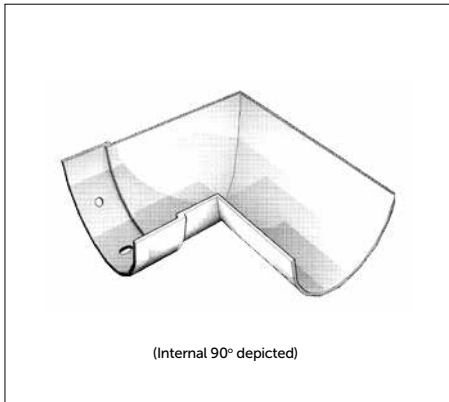
Bracket	125mm x 100mm
Fascia	JDHR4/7

Rise & Fall Brackets



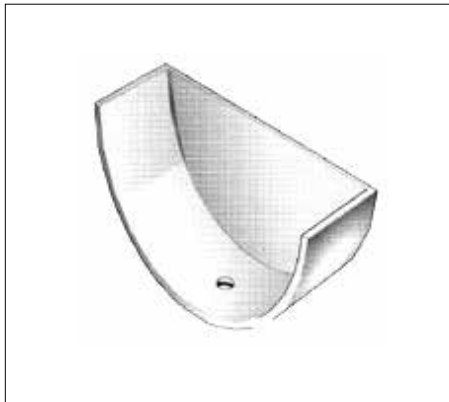
Bracket	125mm x 100mm
Rise & Fall	JDHR4/22

Angles



Angles	125mm x 100mm
90° External	JDHR4/2
90° Internal	JDHR4/3
135° External	JDHR4/4
135° Internal	JDHR4/5
Non Standard	JDHR4/6

Stop Ends



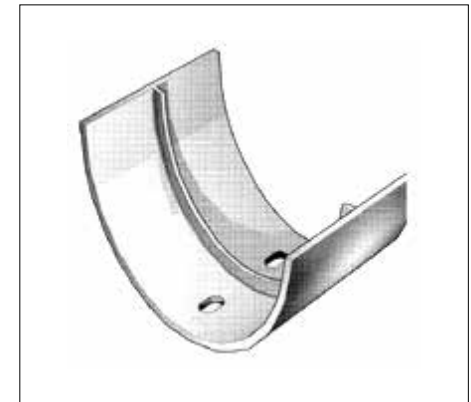
End	125mm x 100mm
External	JDHR4/8
Internal	JDHR4/9

Rafter Brackets

Bracket	125mm x 100mm
Top Fix	JDHR4/20
Side Fix	JDHR4/21

NB: For rafter brackets, the profile angle of the roof must be specified, along with the height of the rafter to the gutter bracket.

Joint Connector Clip



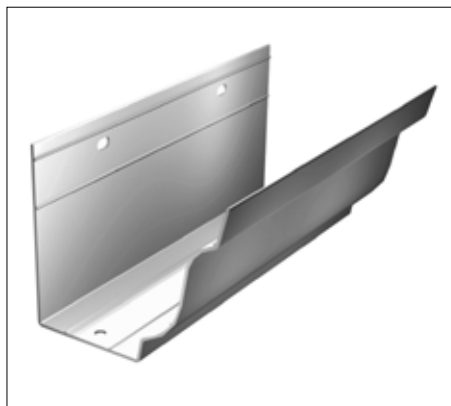
Joint	125mm x 100mm
Universal	JDHR4/10

Altocumulus Beaded Half Round Deep Flow Cast Gutters

Stratus Moulded Ogee Extruded Aluminium Gutters

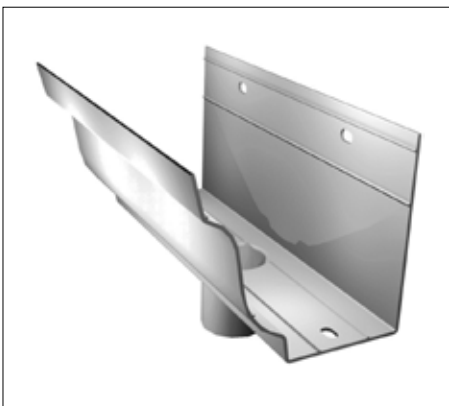
The JWD Stratus profile is an extruded aluminium copy of one of the oldest gutter designs (Pattern 46). Its high flow capacity makes it also ideal for large commercial and industrial buildings. Unlike the Cirrus Victorian Ogee profile, the Stratus range does not utilise sockets and spigots, but internal joint connectors to extend the gutter run.

Gutter Lengths



Length	100x75mm	125x100mm	150x100mm	200x150mm
3.0m	JMO4/1/3	JMO5/1/3	JMO6/1/3	JMO8/1/3
2.5m	JMO4/1/25	JMO5/1/25	JMO6/1/25	JMO8/1/25
2.0m	JMO4/1/2	JMO5/1/2	JMO6/1/2	JMO8/1/2
1.0m	JJMO4/1/1	JMO5/1/1	JMO6/1/1	JMO8/1/1
0.5m	JMO4/1/05	JMO5/1/05	JMO6/1/05	JMO8/1/05

Running Outlets



Size	100x75mm	125x100mm	150x100mm	200x150mm
63mm Ø	JMO4/11	JMO5/11	JMO6/11	JMO8/11
75mm Ø	JMO4/12	JMO5/12	JMO6/12	JMO8/12
100mm Ø	N/A	JMO5/13	JMO6/13	JMO8/13
75x75mm	JMO4/14	JMO5/14	JMO6/14	JMO8/14
100x75mm	JMO4/15	JMO5/15	JMO6/15	JMO8/15
100x100mm	N/A	JMO5/16	JMO6/16	JMO8/16

Stratus Moulded Ogee Extruded Aluminium Gutters

Stratus extruded Ogee gutters are suitable for direct fix, or fascia bracket fixing at maximum 900mm centres, with extra fixings where required. Expansion co-efficients are incorporated into the gutter design. The range includes four widths, 100mmx75mm, 125mmx100mm, 150mmx100mm and 200mmx150mm.

Fascia Brackets



Bracket	100x75mm	125x100mm	150x100mm	200x150mm
Fascia	JMO4/7	JMO5/7	JMO6/7	JMO8/7

Rise & Fall Brackets



Bracket	100x75mm	125x100mm	150x100mm	200x150mm
Rise & Fall	JMO4/22	JMO5/22	JMO6/22	JMO8/22

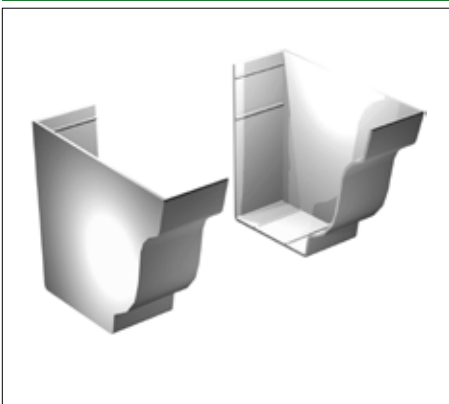
Angles



Angles	100x75mm	125x100mm	150x100mm	200x150mm
90° External	JMO4/2	JMO5/2	JMO6/2	JMO8/2
90° Internal	JMO4/3	JMO5/3	JMO6/3	JMO8/3
135° External	JMO4/4	JMO5/4	JMO6/4	JMO8/4
135° Internal	JMO4/5	JMO5/5	JMO6/5	JMO8/5
Non Standard	JMO4/6	JMO5/6	JMO6/6	JMO8/6

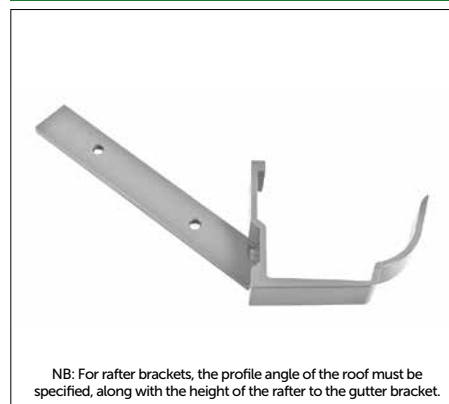
All corners are equal width of gutter plus 150mm

Stop Ends



End	100x75mm	125x100mm	150x100mm	200x150mm
Right Hand	JMO4/8	JMO5/8	JMO6/8	JMO8/8
Left Hand	JMO4/9	JMO5/9	JMO6/9	JMO8/9

Rafter Brackets



Bracket	100x75mm	125x100mm	150x100mm	200x150mm
Top Fix	JMO4/20	JMO5/20	JMO6/20	JMO8/20
Side Fix	JMO4/21	JMO5/21	JMO6/21	JMO8/21

Joint Connector Clip

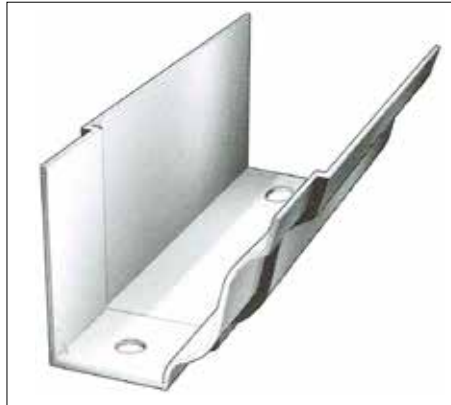


Joint	100x75mm	125x100mm	150x100mm	200x150mm
Universal	JMO4/10	JMO5/10	JMO6/10	JMO8/10

Stratus Special Moulded Ogee Cast Aluminium Gutters

The Stratus Special cast aluminium profile is a system designed with traditional spigot fixings. As with the extruded Stratus range, it has a high flow capacity. There are three sizes 100mmx75mm, 125mmx100mm, which have a left handed spigot, and 150mmx100mm which have a right handed spigot.

Gutter Lengths



Length	100x75mm	125x100mm	150x100mm
1.83m	JCOG4/1	JCOG5/1	JCOG6/1

Running Outlets



Size	100x75mm	125x100mm	150x100mm
63mm Ø	JCOG4/11	JCOG5/11	JCOG6/11
75mm Ø	JCOG4/12	JCOG5/12	JCOG6/12
100mm Ø	N/A	JCOG5/13	JCOG6/13
75x75mm	JCOG4/14	JCOG5/14	JCOG6/14
100x75mm	JCOG4/15	JCOG5/15	JCOG6/15
100x100mm	N/A	JCOG5/16	JCOG6/16

Fascia Brackets



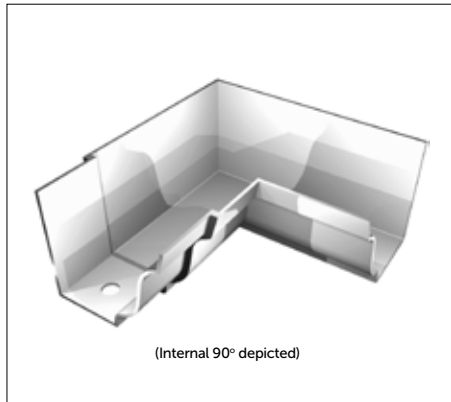
Bracket	100x75mm	125x100mm	150x100mm
Fascia	JCOG4/7	JCOG5/7	JCOG6/7

Rise & Fall / Direct Fix Brackets



Bracket	100x75mm	125x100mm	150x100mm
Rise & Fall	JCOG4/22	JCOG5/22	JCOG6/22
Direct Fix	JCOG4/23	JCOG5/23	JCOG6/23

Angles



Angles	100x75mm	125x100mm	150x100mm
90° External	JCOG4/2	JCOG5/2	JCOG6/2
90° Internal	JCOG4/3	JCOG5/3	JCOG6/3
135° External	JCOG4/4	JCOG5/4	JCOG6/4
135° Internal	JCOG4/5	JCOG5/5	JCOG6/5
Non Standard	JCOG4/6	JCOG5/6	JCOG6/6

Stop Ends



End	100x75mm	125x100mm	150x100mm
Right Hand	JCOG4/8	JCOG5/8	JCOG6/8
Left Hand	JCOG4/9	JCOG5/9	JCOG6/9

Rafter Brackets

Bracket	100x75mm	125x100mm	150x100mm
Top Fix	JCOG4/20	JCOG5/20	JCOG6/20
Side Fix	JCOG4/21	JCOG5/21	JCOG6/21

NB: For rafter brackets, the profile angle of the roof must be specified, along with the height of the rafter to the gutter bracket.

Joint Connector Clip

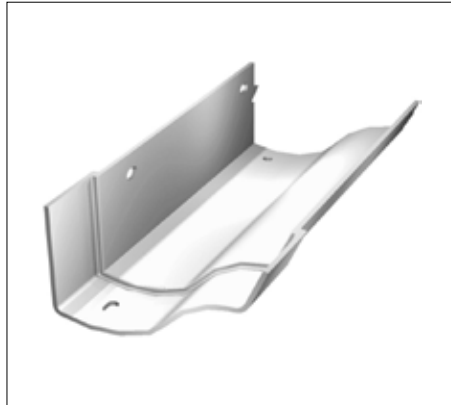
Joint	100x75mm	125x100mm	150x100mm
Universal	JCOG4/10	JCOG5/10	JCOG6/10

Stratus Special Moulded Ogee Cast Aluminium Gutters

Cirrus Victorian Ogee Cast Aluminium Gutters

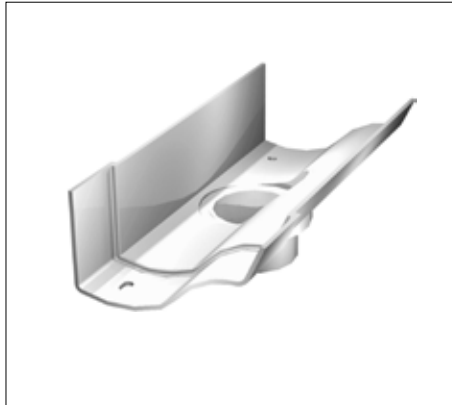
The JWD Cirrus profile is an aluminium copy based on the 19th century Victorian cast iron design. It is fully interchangeable with existing gutters of similar section and is therefore ideal for restoration and refurbishment. There are three widths in the standard range, 100mm, 113mm, and 125mm.

Gutter Lengths



Length	100mm	113mm	125mm
1.83m	JVO4/1	JVO45/1	JVO5/1

Running Outlets



Size	100mm	113mm	125mm
63mm Ø	JVO4/11	JVO45/11	JVO5/11
75mm Ø	JVO4/12	JVO45/12	JVO5/12

Fascia Brackets

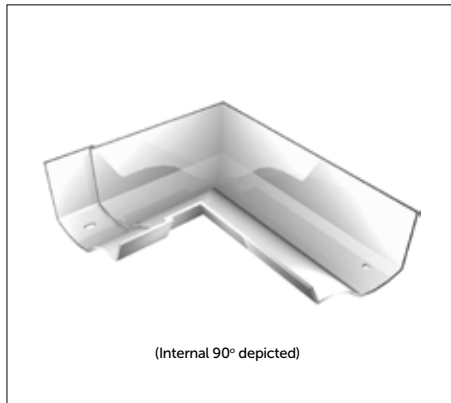


Bracket	100mm	113mm	125mm
Fascia	JVO4/7	JVO45/7	JVO5/7

Rise & Fall Brackets

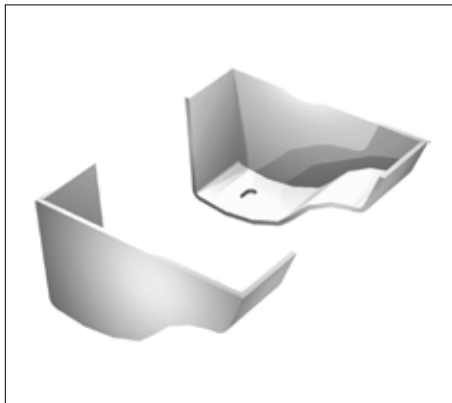
Bracket	100mm	113mm	125mm
Rise & Fall	JVO4/22	JVO45/22	JVO5/22

Angles



Angles	100mm	113mm	125mm
90° External	JVO4/2	JVO45/2	JVO5/2
90° Internal	JVO4/3	JVO45/3	JVO5/3
135° External	JVO4/4	JVO45/4	JVO5/4
135° Internal	JVO4/5	JVO45/5	JVO5/5
Non Standard	JVO4/6	JVO45/6	JVO5/6

Stop Ends



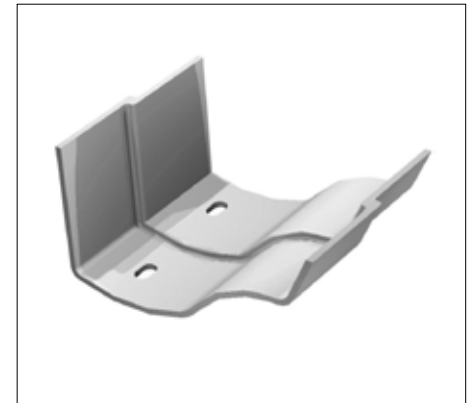
End	100mm	113mm	125mm
Right Hand	JVO4/8	JVO45/8	JVO5/8
Left Hand	JVO4/9	JVO45/9	JVO5/9

Rafter Brackets

Bracket	100mm	113mm	125mm
Top Fix	JVO4/20	JVO45/20	JVO5/20
Side Fix	JVO4/21	JVO45/21	JVO5/21

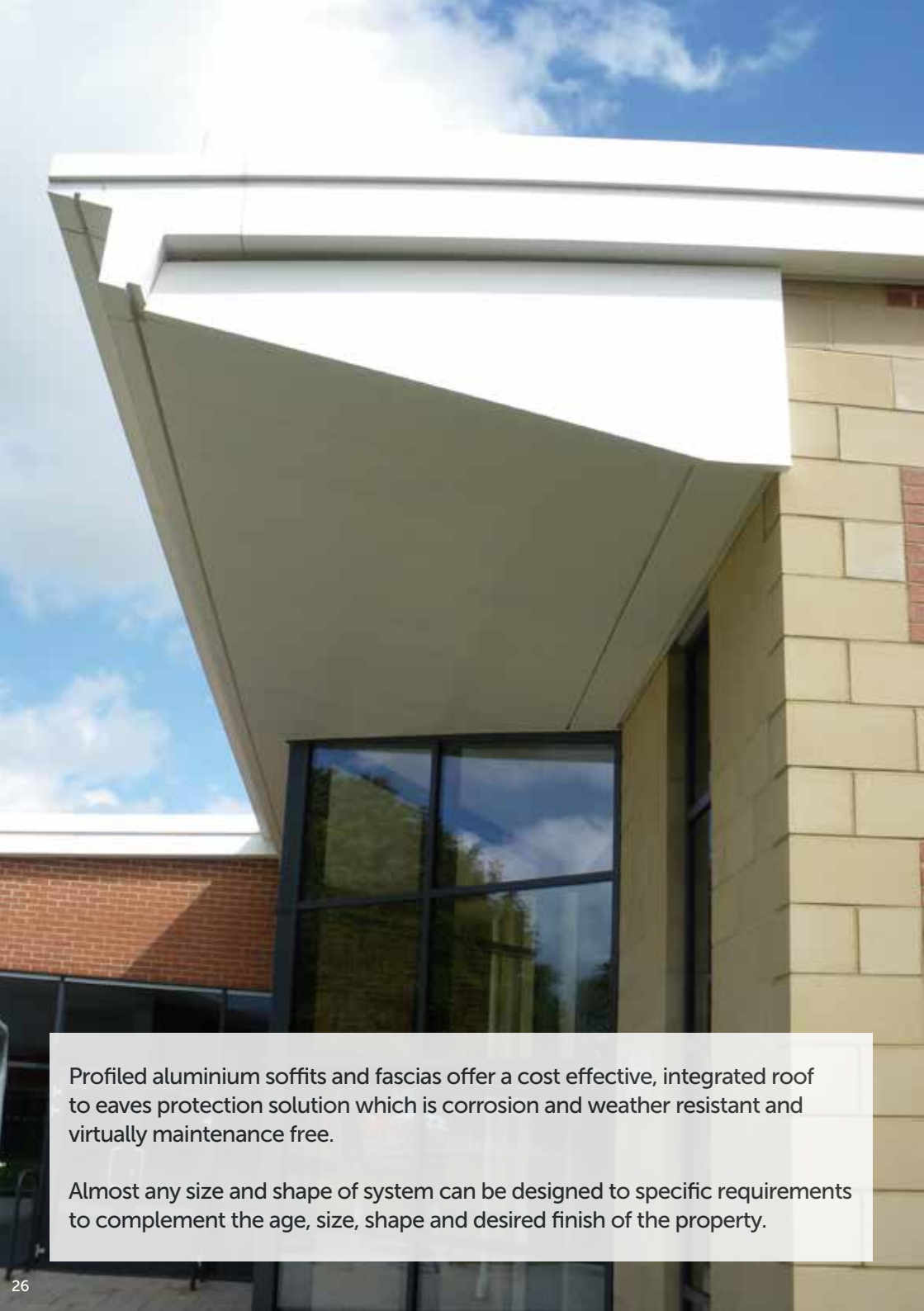
NB: For rafter brackets, the profile angle of the roof must be specified, along with the height of the rafter to the gutter bracket.

Joint Connector Clip



Joint	100mm	113mm	125mm
Universal	JVO4/10	JVO45/10	JVO5/10

Cirrus Victorian Ogee Cast Aluminium Gutters



Profiled aluminium soffits and fascias offer a cost effective, integrated roof to eaves protection solution which is corrosion and weather resistant and virtually maintenance free.

Almost any size and shape of system can be designed to specific requirements to complement the age, size, shape and desired finish of the property.

Design of Fascias & Soffits

Popular architectural rooflines finishes incorporating dynamic curves and angular detail are a JWD speciality. The company manufactures a range of standard and non standard sections with visible or hidden rainwater disposal systems.

The entire rainwater system and, fascia, soffit and eaves trim can all be colour coordinated to combine individuality with a practical and long lasting building detail finish.

Fascia & Soffit Detail

Single Profile System

Designed so that minimal fixings are visible. Each section is joined by an internal or external profile collar. The single system has a maximum combined girth of 1500mm.

Two Part Fascia / Soffit System

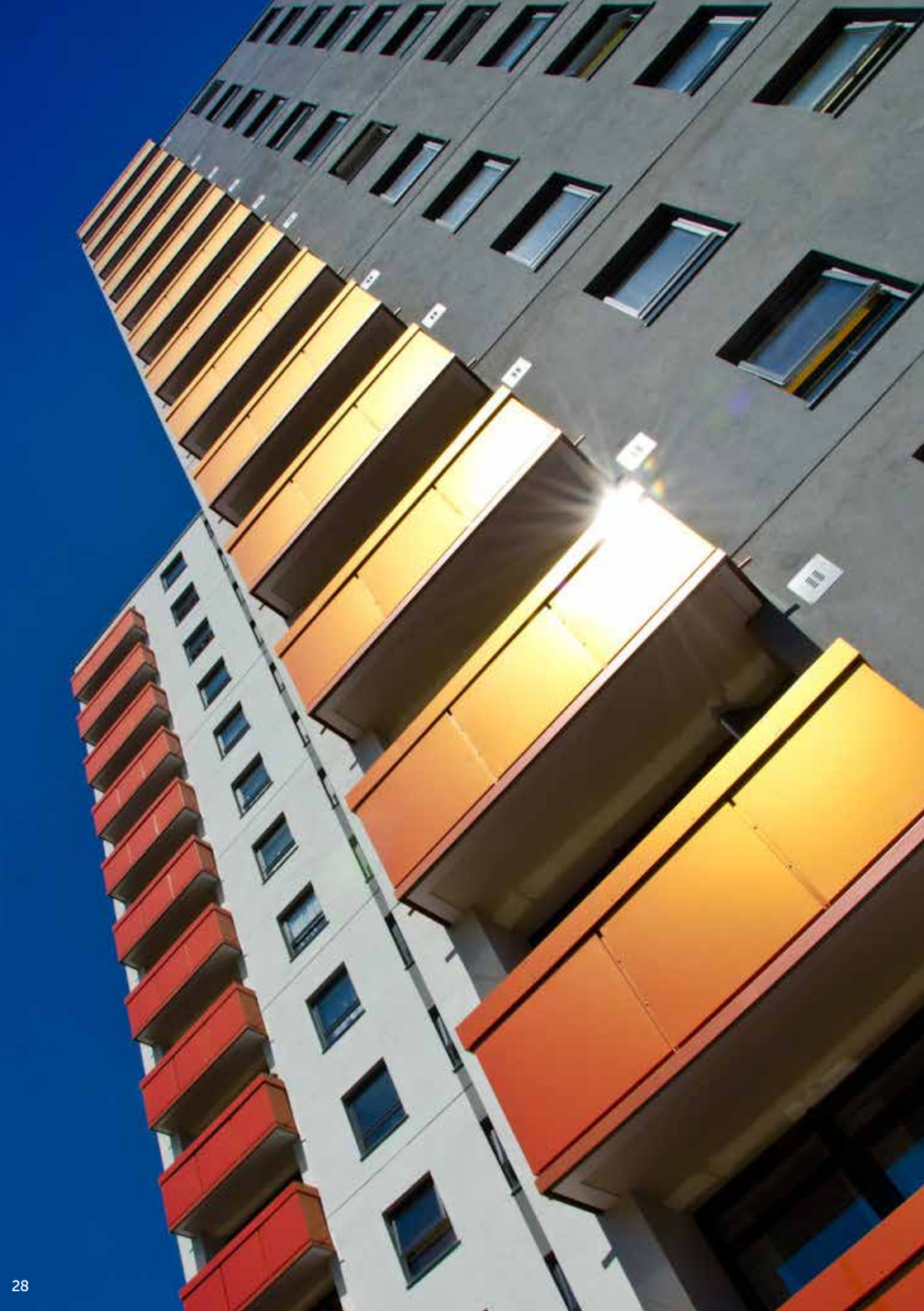
Similar in appearance to the Single Profile System. It is used when the girth of the fascia and soffit combined, exceeds 1500mm. The maximum girth for this type of system is 1500mm for the fascia and 1500mm for the soffit.

Soffit Planking System

Recommended when the girth of the soffit exceeds 1.0m. Each plank is 100mm wide and locks into its adjacent plank. A secret fixing system is used to ensure an aesthetically pleasing finish. There are no restrictions on the girth of this system making it an ideal alternative to traditional materials.

JWD's technical design team will be able to recommend the correct system for each type of property and produce plans and a bill of quantities for each project.





Other Products from JWD

At JWD, our aim is to generate creative solutions that take into account our customers' individual project needs. We mainly provide rainwater and roofline systems manufactured in aluminium, but we can also supply rainwater profiles in other materials to offer maximum efficiency in terms of both performance and cost. Other materials can be requested and JWD can supply rainwater systems in steel, galvanised steel, Plastisol, and cast iron. Please request our Product Selector sheet for details of availability.

Special Notes & Information

Standard Material Specification

The standard gauge for cast and extruded aluminium is up to 3mm. Gutter lengths, angles and outlets are supplied with one internal joint connector. Nuts, connectors, bolts and washers are supplied in 'mill finish' as standard.

Specification

JWD will undertake to specify the appropriate profiles that are aligned to flow capacity requirements. A technical data sheet on the calculation of flow capacity is available on request.

Please contact JWD Technical Department to discuss your requirements if you are looking to specify aluminium in areas of harsh climate conditions or marine environments.

Installation

We offer a supply only, or supply and installation service. JWD has a network of employed installers and qualified approved installers operating throughout the North West. JWD cannot accept responsibility for problems encountered during installation if not carried out by a JWD approved installer.

Conditions of Sale

All goods are sold according to JWD Rainwater Systems Ltd "Conditions of Sale" which are available on request.

Seamless Aluminium

JWD specialises in the design and installation of Seamless Aluminium gutters. Please request an information sheet for more details.

Architectural Aluminium

Our product offer also includes a wide range of bespoke aluminium architectural solutions, including Alucobond® composite cladding, rainscreen cladding, powder coated rooflines and engineered solutions for windows and doors.

Order Fulfilment

Availability for all products will be quoted at the point of enquiry. In exceptional circumstances, fabrications can be fulfilled outside normal working hours. When placing orders, please quote a reference number, a total required for each component, and details of the finish required. All non standard requirements must be supported by details. All orders for Polyester Powder Coating must specify a RAL number, BS4800 code, a BS 381 C code or an Interpon D paint reference as well as the choice of finish, gloss, matt or satin. Samples can be made available on request.

Cleaning & Maintenance

Use a good quality mild detergent and water solution to regularly wash away all dirt and debris from the gutter and roofline. For powder coated items, regularly check gutters, rainwater pipes, and hoppers for any pooled water as this may contain pollutants which can affect the polyester powder coating finish. For any scratches or blemishes always apply touch up paint before water ingress can occur

Quality

JWD is a quality assured company and meets the quality management standards required for UKAS ISO 9001 accreditation. out by a JWD approved installer.



Polyester Powder Coat Specification

High Quality Powder Coatings

All JWD rainwater goods are supplied in mill finish or treated with a polyester powder coating to viewed faces only as standard. High quality aluminium powder coating finishes provide a long lasting, consistent, fade resistant finish, with minimal long term maintenance.

JWD maintains a stock of all 135 standard RAL and BS4800 colours which can be specified in a choice of finishes including matt, gloss and satin. Special colours can be specified by consultation according to the project and timescales. For actual colour references, please contact JWD.

For all fixings and accessories, mill finish will be supplied as standard. 125ml touch up paint or aerosol spray to match powder coated rainwater and roofline products can be ordered. Powder coated fixings and accessories can be specified as a special order, if required.

The coating process is carried out by JWD at the company's automated powder coating plant, which is situated in Hyde, Cheshire.

JWD is one of only 27 'Service First' associates in the UK. 'Service First' is a quality mark awarded by AKZO NOBEL for excellence in powder coat application.



Whilst every effort has been taken to ensure correct information has been used in the compilation of this brochure, no responsibility can be accepted for any errors or omissions contained therein. We reserve the right to modify or change designs without notice, pursuant to our policy of continuing to improve and develop our products.



JWD Architectural Aluminium

Captain Clarke Road
Broadway Industrial Estate
Hyde
Cheshire
SK14 4QG

(T) 0161 351 9990

(F) 0161 351 9992

(E) sales@rainwatergoods.co.uk



www.rainwatergoods.co.uk